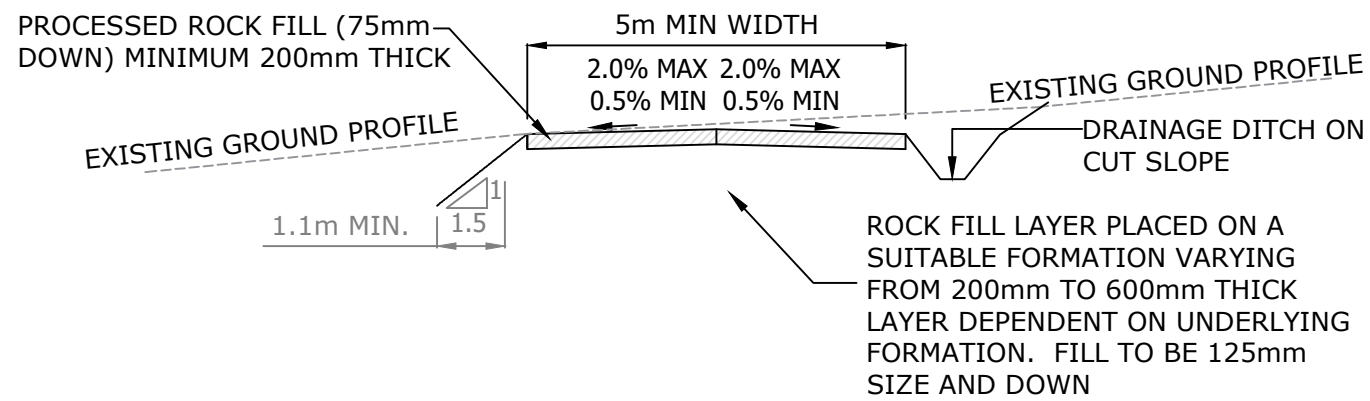
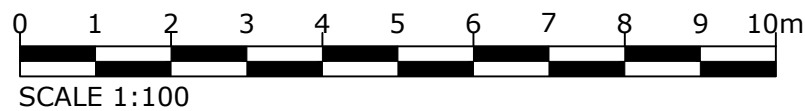


TYPICAL SECTION THROUGH ROCK-FILL TRACK (1:100)



TYPICAL SECTION THROUGH EXCAVATED TRACK (1:100)



Legend:

Title: Figure 4.6a Typical Access Track Section(s)	
Shepherds' Rig Wind Farm	
Source: © Crown copyright and database rights 2018 Ordnance Survey 0100031673	
Client: Infinergy	
Drawn by: DB	Checked: RF
Date: 03/10/18	
Scale: 1:100	Revision: 1